

Model			GWH24AGE-K6DNA1A GWH24AGE-K6DNA2A	GWH24AGE-K6DNA1A
Product Code			<b>CB385007500</b> CB543001000	CB385007501
Power Supply	Rated Voltage	V~	220-240	220-240
	Rated Frequency	Hz	50	50
	Phases		1	1
Power Supply Mode			Outdoor	Outdoor
Cooling Capacity		W	7100	7100
Heating Capacity		W	7800	7800
Cooling Power Input		W	2030	2030
Heating Power Input		W	2000	2000
Cooling Current Input		A	9	9
Heating Current Input		A	9.3	9.3
Rated Input		W	3000	3000
Rated Cooling Current		A	13	13
Rated Heating Current		A	13.5	13.5
Air Flow Volume		m <sup>3</sup> /h	1250/1100/1000/950/900/850/800/600	1250/1100/1000/950/900/850/800/600
Dehumidifying Volume		L/h	2.4	2.4
EER		W/W	3.5	3.5
COP		W/W	3.9	3.9
SEER			7	7
SCOP(Average/WarmerColder)			4.2/5.4/3.4	4.2/5.4/3.4
Application Area		m <sup>2</sup>	27-42	27-42
Indoor Unit	Model		GWH24AGE-K6DNA1A/I GWH24AGE-K6DNA2A/I	GWH24AGE-K6DNA1A/I
	Product Code		CB385N07500 CB543N01000	CB385N07500
	Fan Type		Cross-flow	Cross-flow
	Fan Diameter Length(DXL)	mm	108×830	108×830
	Cooling Speed	r/min	1250/1100/1000/950/900/850/800/600	1250/1100/1000/950/900/850/800/600
	Heating Speed	r/min	1400/1250/1100/1050/1000/900/850	1400/1250/1100/1050/1000/900/850
	Fan Motor Power Output	W	60	60
	Fan Motor RLA	A	0.24	0.24
	Fan Motor Capacitor	μF	/	/
	Evaporator Form		Aluminum Fin-copper Tube	Aluminum Fin-copper Tube
	Evaporator Pipe Diameter	mm	Φ7	Φ7
	Evaporator Row-fin Gap	mm	2-1.4	2-1.4
	Evaporator Coil Length (LXDXW)	mm	845×25.4×381	845×25.4×381
	Swing Motor Model		MP24HF/MP24AK/MP24HF	MP24HF/MP24AK/MP24HF
	Swing Motor Power Output	W	1.5/1.5/1.5	1.5/1.5/1.5
	Fuse Current	A	3.15	3.15
	Sound Pressure Level	dB (A)	Cooling:48/44/41/40/38/36/33/27 Heating:50/47/43/41/40/36/35	Cooling:48/44/41/40/38/36/33/27 Heating:50/47/43/41/40/36/35
	Sound Power Level	dB (A)	Cooling:64/59/56/55/53/51/48/42 Heating:64/62/58/56/55/51/50	Cooling:64/59/56/55/53/51/48/42 Heating:64/62/58/56/55/51/50
	Dimension (WXHXD)	mm	1075X333X246	1075X333X246
	Dimension of Carton Box (LXWXH)	mm	1128X406X323	1128X406X323
Dimension of Package (LXWXH)	mm	1133X414X333	1133X414X333	
Net Weight	kg	16	16	
Gross Weight	kg	19	19	

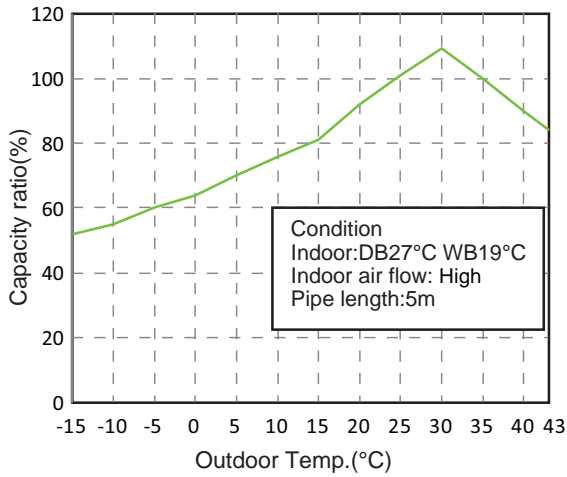
Outdoor Unit	Outdoor Unit Model		GWH24AFE-K6DNA2I/O	GWH24AFE-K6DNA2I/O
	Outdoor Unit Product Code		CB363W04100	CB363W04101
	Compressor Manufacturer		ZHUHAI LANDA COMPRESSOR CO.,LTD.	ZHUHAI LANDA COMPRESSOR CO.,LTD.
	Compressor Model		QXFS-M180zX170	QXFS-M180zX170
	Compressor Oil		FW68DA or equivalent	FW68DA or equivalent
	Compressor Type		Twin Rotary	Twin Rotary
	Compressor LRA.	A	35	35
	Compressor RLA	A	3.5	3.5
	Compressor Power Input	W	1610	1610
	Compressor Overload Protector		KSD115°C HPC 115/95U1	KSD115°C HPC 115/95U1
	Throttling Method		Electron expansion valve	Electron expansion valve
	Set Temperature Range	°C	16~30	16~30
	Cooling Operation Ambient Temperature Range	°C	-15~50	-15~50
	Heating Operation Ambient Temperature Range	°C	-15~30	-25~30
	Condenser Form		Aluminum Fin-copper Tube	Aluminum Fin-copper Tube
	Condenser Pipe Diameter	mm	Φ7	Φ7
	Condenser Rows-fin Gap	mm	2-1.4	2-1.4
	Condenser Coil Length (LXDXW)	mm	839×38.1×616	839×38.1×616
	Fan Motor Speed	rpm	800	800
	Fan Motor Power Output	W	60	60
	Fan Motor RLA	A	0.65	0.25
	Fan Motor Capacitor	μF	/	/
	Outdoor Unit Air Flow Volume	m <sup>3</sup> /h	3600	3600
	Fan Type		Axial-flow	Axial-flow
	Fan Diameter	mm	520	520
	Defrosting Method		Automatic Defrosting	Automatic Defrosting
	Climate Type		T1	T1
	Isolation		I	I
	Moisture Protection		IPX4	IPX4
	Permissible Excessive Operating Pressure for the Discharge Side	MPa	4.3	4.3
	Permissible Excessive Operating Pressure for the Suction Side	MPa	2.5	2.5
	Sound Pressure Level	dB (A)	59	59
	Sound Power Level	dB (A)	70	70
Dimension(WXHXD)	mm	958X660X402	958X660X402	
Dimension of Carton Box (LXWXH)	mm	1029X453X715	1029X453X715	
Dimension of Package(LXWXH)	mm	1032X456X737	1032X456X737	
Net Weight	kg	41.5	41.5	
Gross Weight	kg	46	46	
Refrigerant		R32	R32	
Refrigerant Charge	kg	1.5	1.5	
Connection Pipe	Connection Pipe Length	m	5	5
	Connection Pipe Gas Additional Charge	g/m	40	40
	Outer Diameter Liquid Pipe		1/4"	1/4"
	Outer Diameter Gas Pipe		5/8"	5/8"
	Max Distance Height	m	10	10
	Max Distance Length	m	25	25
	Note: The connection pipe applies metric diameter.			

The above data is subject to change without notice. Please refer to the nameplate of the unit.

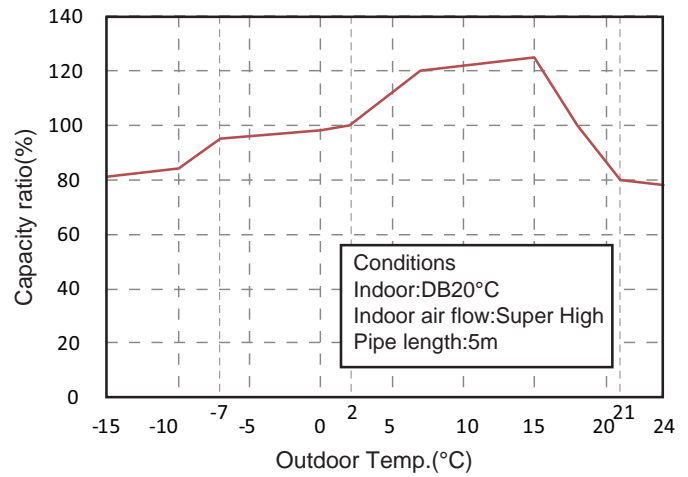
## 2.2 Capacity Variation Ratio According to Temperature

### GWH07AGA-K6DNA1A

Cooling



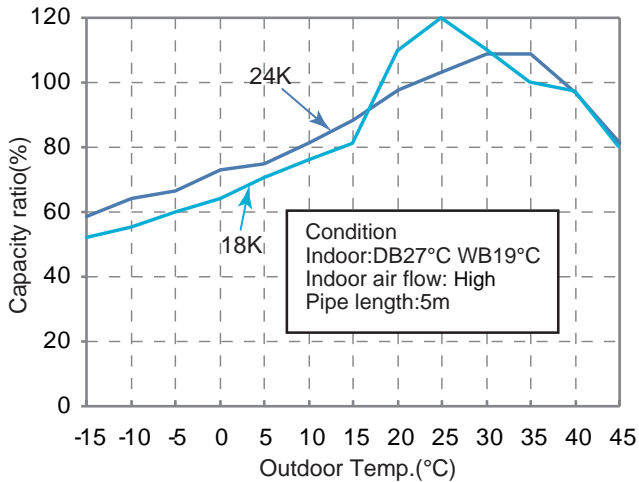
Heating



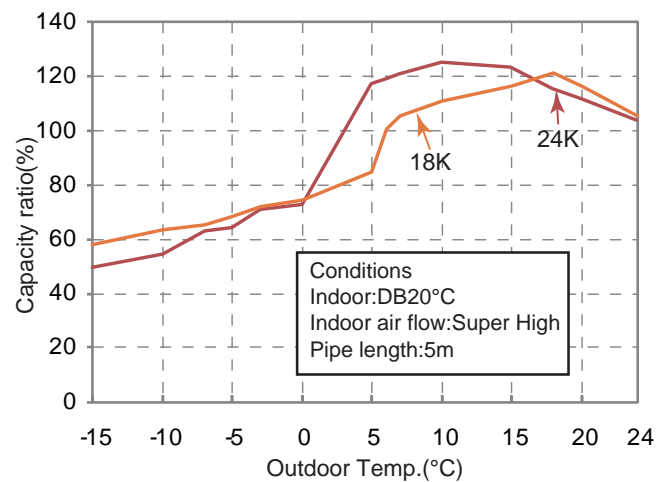
### GWH18AGD-K6DNA1D GWH18AGDXB-K6DNA2D GWH18AGD-K6DNA4D GWH24AGD-K6DNA1C GWH24AGD-K6DNA4C

Heating operation ambient temperature range is -15°C~24°C

Cooling

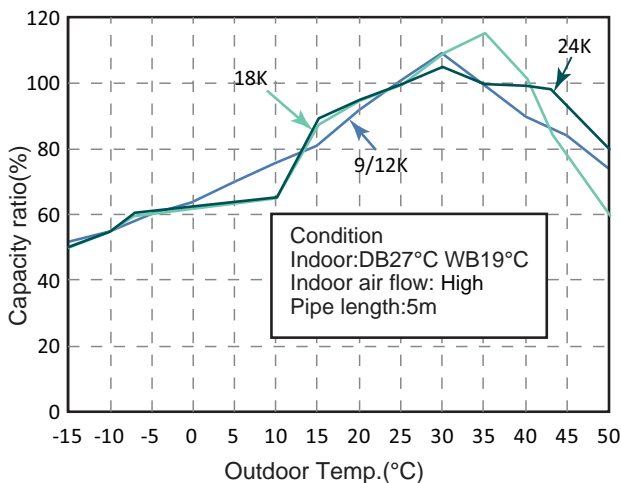


Heating

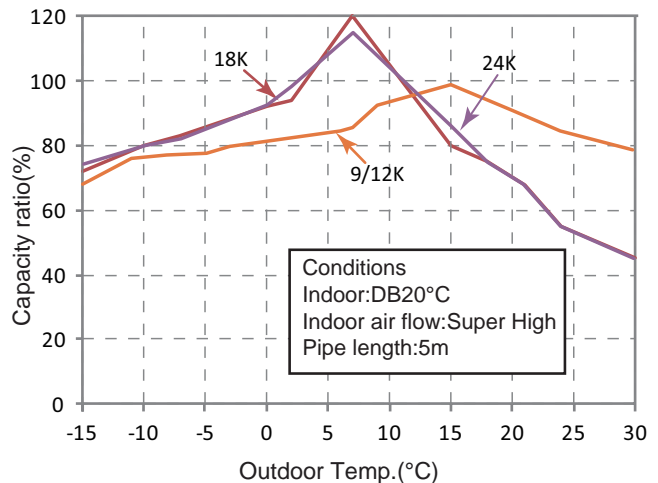


Heating operation ambient temperature range is -15°C~30°C

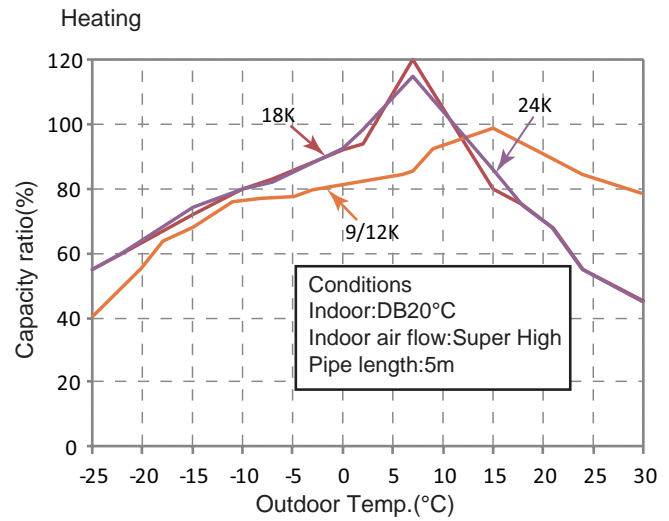
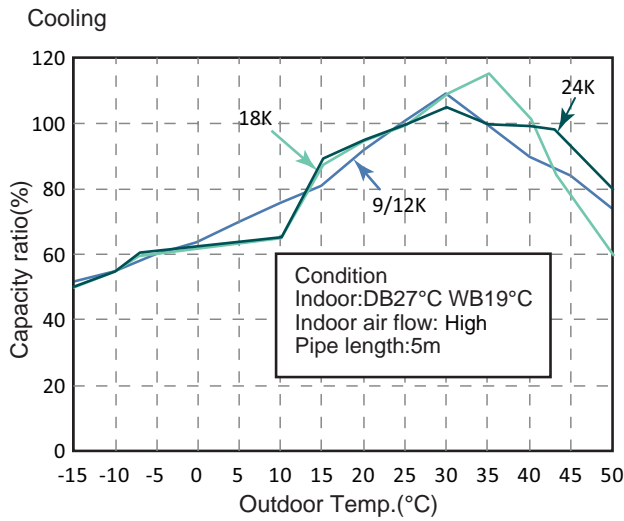
Cooling



Heating



Heating operation ambient temperature range is -25°C~30°C



## 2.3 Cooling and Heating Data Sheet in Rated Frequency

Cooling:

Rated cooling condition(°C) (DB/WB)		Model	Pressure of gas pipe connecting indoor and outdoor unit	Inlet and outlet pipe temperature of heat exchanger		Fan speed of indoor unit	Fan speed of outdoor unit
Indoor	Outdoor			T1 (°C)	T2 (°C)		
27/19	35/24	7/9K	0.8~1.1	12 ~ 15	65 ~ 38	Super High	High
27/19	35/24	12K	0.9~1.1	12 ~ 14	75 ~ 37	Super High	High
27/19	35/24	18K	0.9~1.1	12 ~ 14	75 ~ 37	Super High	High
27/19	35/24	24K	0.9~1.1	12 ~ 14	75 ~ 37	Super High	High

Heating:

Rated heating condition(°C) (DB/WB)		Model	Pressure of gas pipe connecting indoor and outdoor unit	Inlet and outlet pipe temperature of heat exchanger		Fan speed of indoor unit	Fan speed of outdoor unit
Indoor	Outdoor			T1 (°C)	T2 (°C)		
20/-	7/6	7/9K	2.8~3.2	63 ~ 35	2 ~ 5	Super High	High
20/-	7/6	12K	2.2~2.4	70 ~ 35	2 ~ 4	Super High	High
20/-	7/6	18K	2.2~2.4	70 ~ 40	1 ~ 5	Super High	High
20/-	7/6	24K	2.2~2.4	70 ~ 35	2 ~ 4	Super High	High

### Instruction:

T1: Inlet and outlet pipe temperature of evaporator

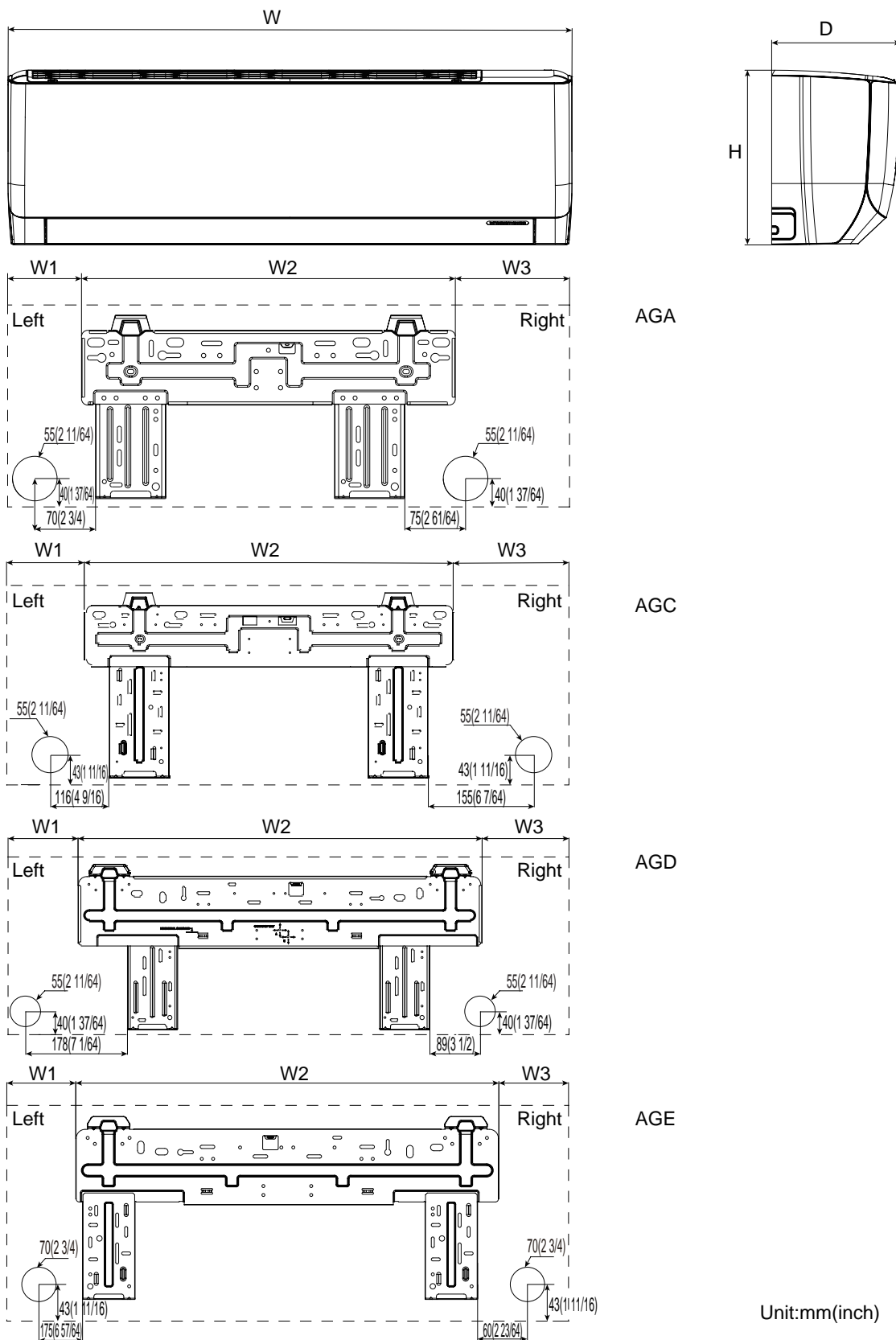
T2: Inlet and outlet pipe temperature of condenser

P: Pressure at the side of big valve

Connection pipe length: 5 m.

# 3. Outline Dimension Diagram

## 3.1 Indoor Unit

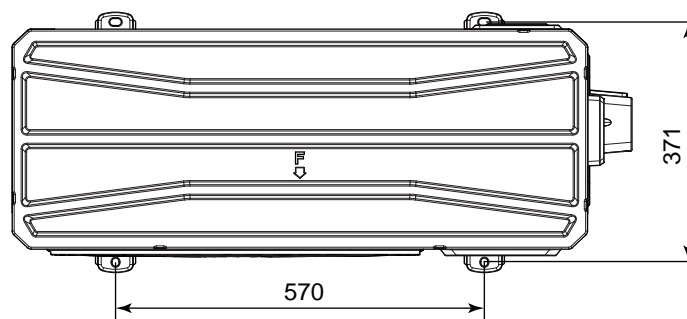
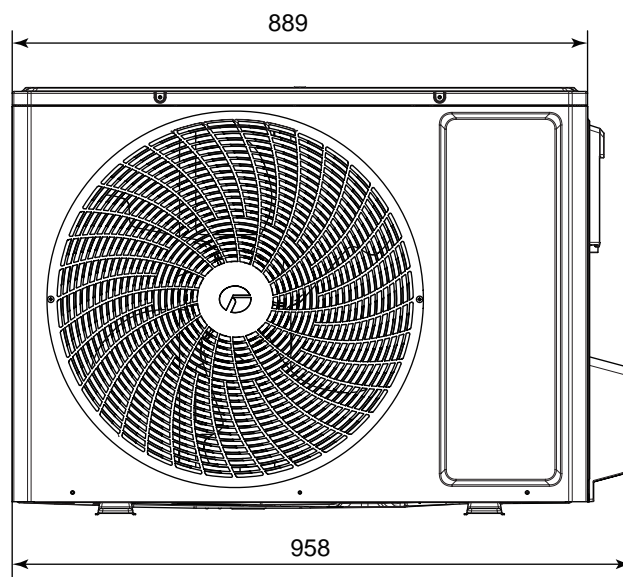
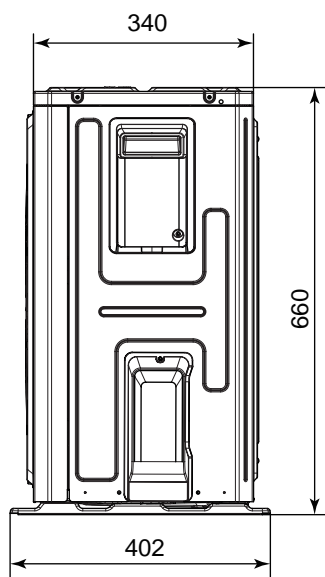


Unit:mm(inch)

Model	W	H	D	W1	W2	W3
AGA	704	260	185	93	462	149
AGC	825	293	196	113	542	170
AGD	982	311	221	122.5	707.5	152
AGE	1075	333	246	184	707.5	183.5

Unit:mm

GWH24AFE-K6DNA2I/O



Unit:mm